

Our silos are between 1,83 m and 3,66 m in diameter and have a maximum storage volume of 86 m<sup>3</sup>.

Feed silos are designed to be used in the storage and transfer of products to be stored for a short time. Due to its conical structure, it is easier to unload the entire silo.

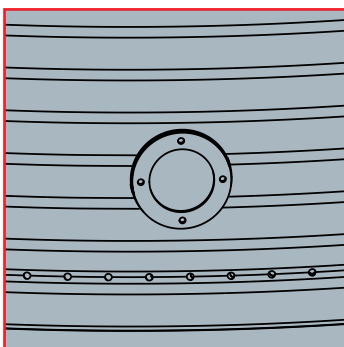
### PRODUCT FEATURES

All the 10.9 quality bolts and the 10 quality nuts used in feed silo connections are galvanize coated. In addition, special sealing elements are used in the connections to ensure perfect insulation.

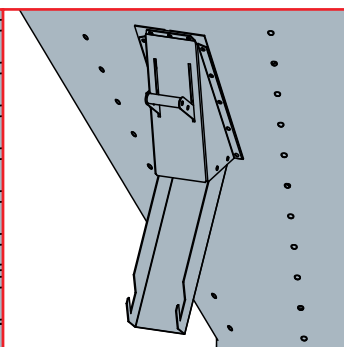
40° angle feed silo roofs, which are designed and produced by considering the angle of the feed's stand in the silo, allow more product storage than standard silo roofs at 30° angle.

### OPTIONAL EQUIPMENTS:

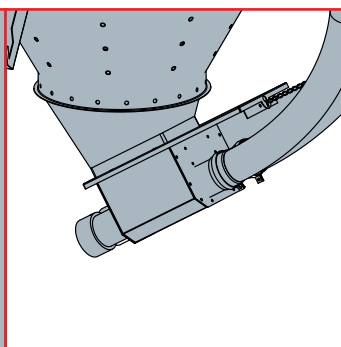
- Side Unloading Kit
- Hopper Access Hatch
- Surveillance Window
- High Strength Bakelite Chamber
- Pneumatic Loading
- Unloading Pipes
- Feed Transfer System
- Ladder Set
- Ladder Safety Gate
- Loadcell



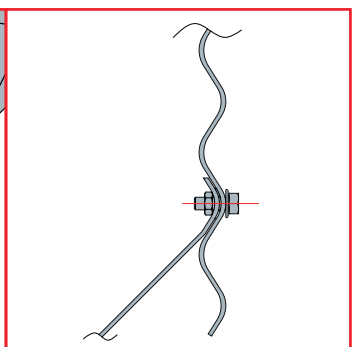
Surveillance Window



Side Unloading



Feed Transfer Chamber (Optional)



Dropper

## Capacity Chart

| Diameter m (ft) | Hopper Angle | Model     | Peak Height (m) | Max. Capacity  |                             |
|-----------------|--------------|-----------|-----------------|----------------|-----------------------------|
|                 |              |           |                 | m <sup>3</sup> | 60 (kg/m <sup>3</sup> ) ton |
| 1,83 (6')       | 60           | S-FT601M  | 3,50            | 4,00           | 2,56                        |
| 1,83 (6')       | 60           | S-FT602M  | 4,30            | 6,00           | 3,84                        |
| 1,83 (6')       | 60           | S-FT603M  | 5,20            | 8,00           | 5,12                        |
| 1,83 (6')       | 60           | S-FT604M  | 6,00            | 11,00          | 7,04                        |
| 1,83 (6')       | 60           | S-FT605M  | 6,88            | 13,00          | 8,30                        |
| 1,83 (6')       | 60           | S-FT606M  | 7,73            | 15,00          | 9,60                        |
| 1,83 (6')       | 60           | S-FT607M  | 8,57            | 17,00          | 11,00                       |
| 1,83 (6')       | 60           | S-FT608M  | 9,40            | 20,00          | 12,80                       |
| 2,14 (7')       | 67           | S-FT701M  | 4,30            | 7,00           | 4,48                        |
| 2,14 (7')       | 67           | S-FT702M  | 5,20            | 10,00          | 6,40                        |
| 2,14 (7')       | 67           | S-FT703M  | 6,00            | 13,00          | 8,32                        |
| 2,14 (7')       | 67           | S-FT704M  | 6,90            | 16,00          | 10,24                       |
| 2,14 (7')       | 67           | S-FT705M  | 7,80            | 19,00          | 12,16                       |
| 2,14 (7')       | 67           | S-FT706M  | 8,60            | 22,00          | 14,08                       |
| 2,14 (7')       | 67           | S-FT707M  | 9,45            | 25,00          | 17,00                       |
| 2,14 (7')       | 67           | S-FT708M  | 10,30           | 28,00          | 19,00                       |
| 2,75 (9')       | 60           | S-FT901M  | 4,60            | 11,00          | 7,04                        |
| 2,75 (9')       | 60           | S-FT902M  | 5,50            | 16,00          | 10,24                       |
| 2,75 (9')       | 60           | S-FT903M  | 6,30            | 21,00          | 13,44                       |
| 2,75 (9')       | 60           | S-FT904M  | 7,20            | 26,00          | 16,64                       |
| 2,75 (9')       | 60           | S-FT905M  | 8,00            | 31,00          | 19,84                       |
| 2,75 (9')       | 60           | S-FT906M  | 8,90            | 36,00          | 23,04                       |
| 2,75 (9')       | 60           | S-FT907M  | 9,70            | 41,00          | 28,00                       |
| 2,75 (9')       | 60           | S-FT908M  | 10,50           | 46,00          | 32,00                       |
| 2,75 (9')       | 60           | S-FT909M  | 11,38           | 51,00          | 35,00                       |
| 2,75 (9')       | 60           | S-FT910M  | 12,20           | 56,00          | 39,00                       |
| 3,66 (12')      | 60           | S-FT1201M | 5,50            | 23,00          | 14,72                       |
| 3,66 (12')      | 60           | S-FT1202M | 6,40            | 32,00          | 20,48                       |
| 3,66 (12')      | 60           | S-FT1203M | 7,20            | 41,00          | 26,24                       |
| 3,66 (12')      | 60           | S-FT1204M | 8,10            | 50,00          | 32,00                       |
| 3,66 (12')      | 60           | S-FT1205M | 8,90            | 59,00          | 37,76                       |
| 3,66 (12')      | 60           | S-FT1206M | 9,70            | 68,00          | 43,52                       |
| 3,66 (12')      | 60           | S-FT1207M | 10,60           | 77,00          | 49,28                       |

- All silos are designed for the storage of grains and other fluid products with a density of up to 833 kg/m<sup>3</sup>.
- Mysilo reserves the right to change the design and specifications of its products without notice.
- The data in the charts are approximate values.
- X varies according to our model. Our models are as follows.  
M : Loading and unloading with manual lid,  
P : Pneumatic loading and unloading,  
B : Loading and unloading with pipe lid.

SPO.KTLG.18/00/21.12.2022-E